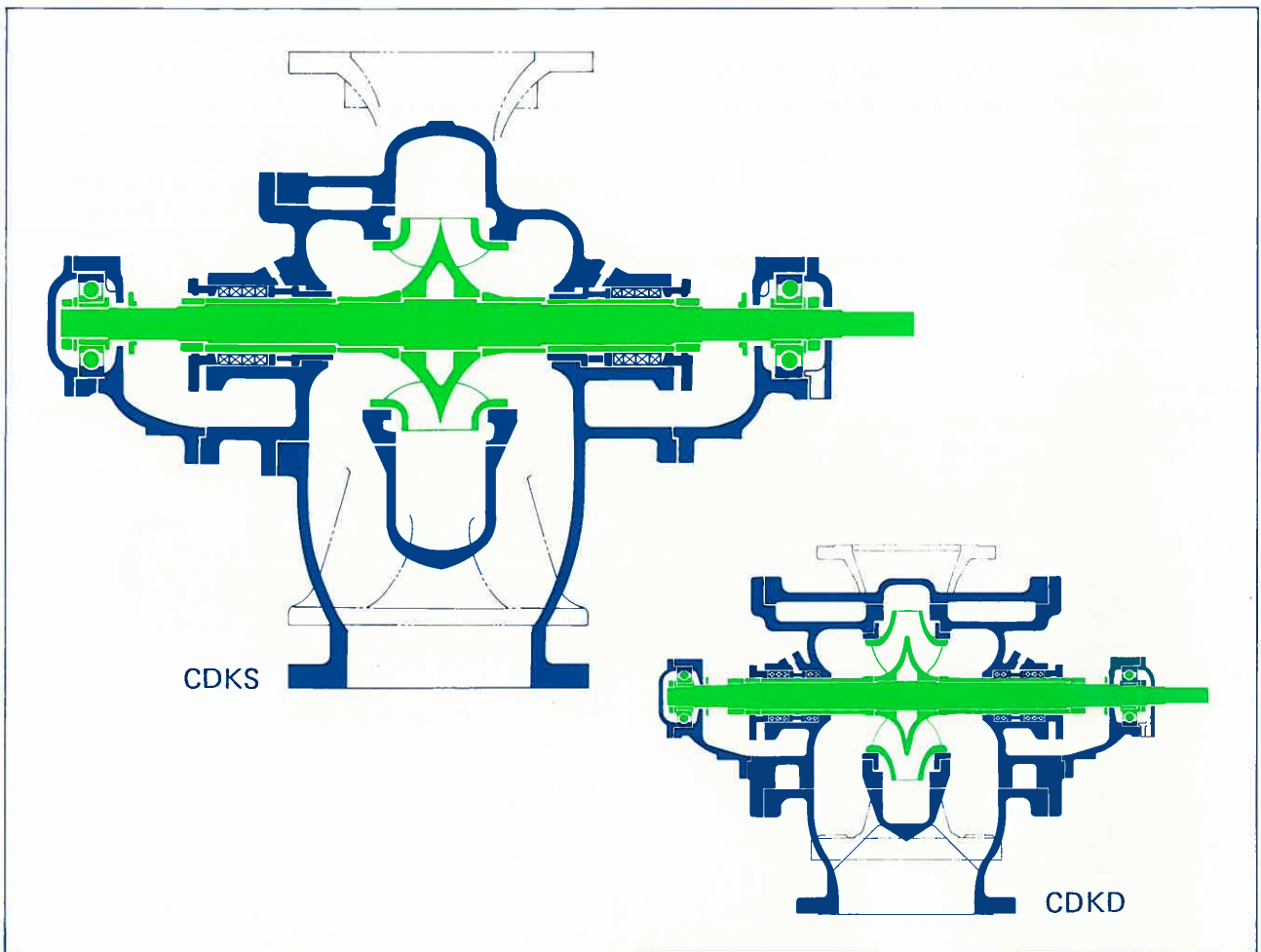


CDKS CDKD

Volute Casing Pumps



TORISHIMA PUMP

CDKS, CDKD, volute casing pumps with double flow impeller, are pumps of horizontal radially split casing with side covers.

They are mainly used for handling liquids of high temperature and pressure in chemical plants and power stations.

Fields of Application

Process pumps in chemical industry, power station, paper and cellulose industry and fibre industry.

Operating range

Capacity Q up to 3000 m³/h
 Total head H up to 300 m
 Temperature t up to 350°C
 Sizes DN 200 to 500 mm

Design

CDKS: Volute casing with a side cover on the anti drive end.

CDKD: Volute casing with side covers on both ends (drive and anti drive end)

The pump rotor can be removed from the casing without having to disconnect the piping or unbolt the pump casing from the baseplate.

Impeller

Double entry radial impeller. Renewable impeller wear rings are available.

Bearing Arrangement

Ball bearings or sleeve bearings

Bearing Lubrication

Grease lubrication, oil lubrication, oil-ring lubrication system or pressurized lubrication system is available.

Shaft Seals

Soft-packed stuffing box or mechanical seal

Materials

| Part No. | Part designation | Materials |
|----------|-------------------------|---|
| 1020 | Volute casing | Cast iron (FC250) |
| 1610 | Side cover | Ductile cast iron (FCD500), Cast steel (SC46), Aluminium bronze Stainless steel (SCS13, SCS14) Ni-resist |
| 2300 | Impeller | Cast iron (FC250), Bronze (BC6), Ductile cast iron (FCD500) Bronze (BC6), Cast steel (SC46) Stainless steel (SCS13, SCS14) |
| 2100 | Shaft | Carbon steel (S45C) Stainless steel (SUS304, SUS316) Chromium steel (SUS420J2) |
| 5230 | Shaft protecting sleeve | Bronze (BC6) Chromium steel (SUS420J2) +HCr plating Stainless steel (SUS304, SUS316)+HCr plating |

Nozzle Orientation

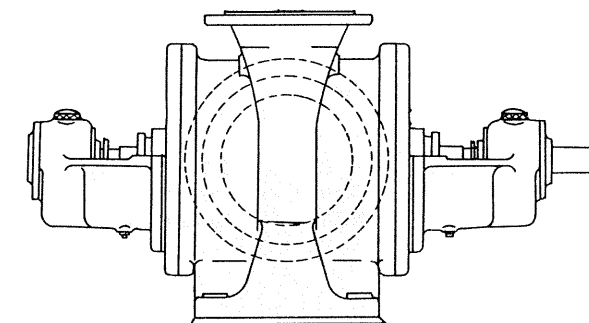
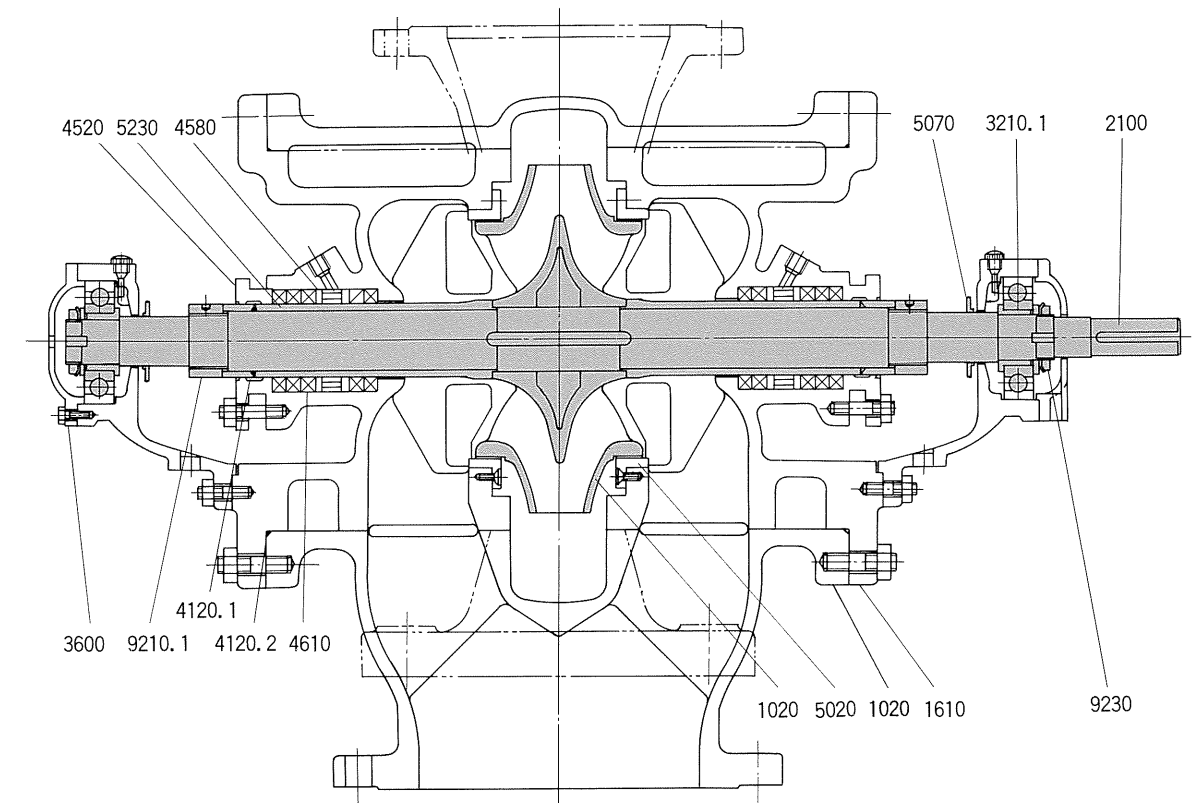
The suction nozzle is radial and the discharge nozzle is top, or both suction and discharge nozzles are top, or radial.

Rotating Direction

Clockwise or counter clockwise.

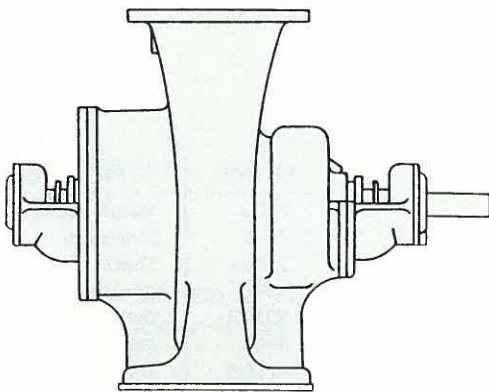
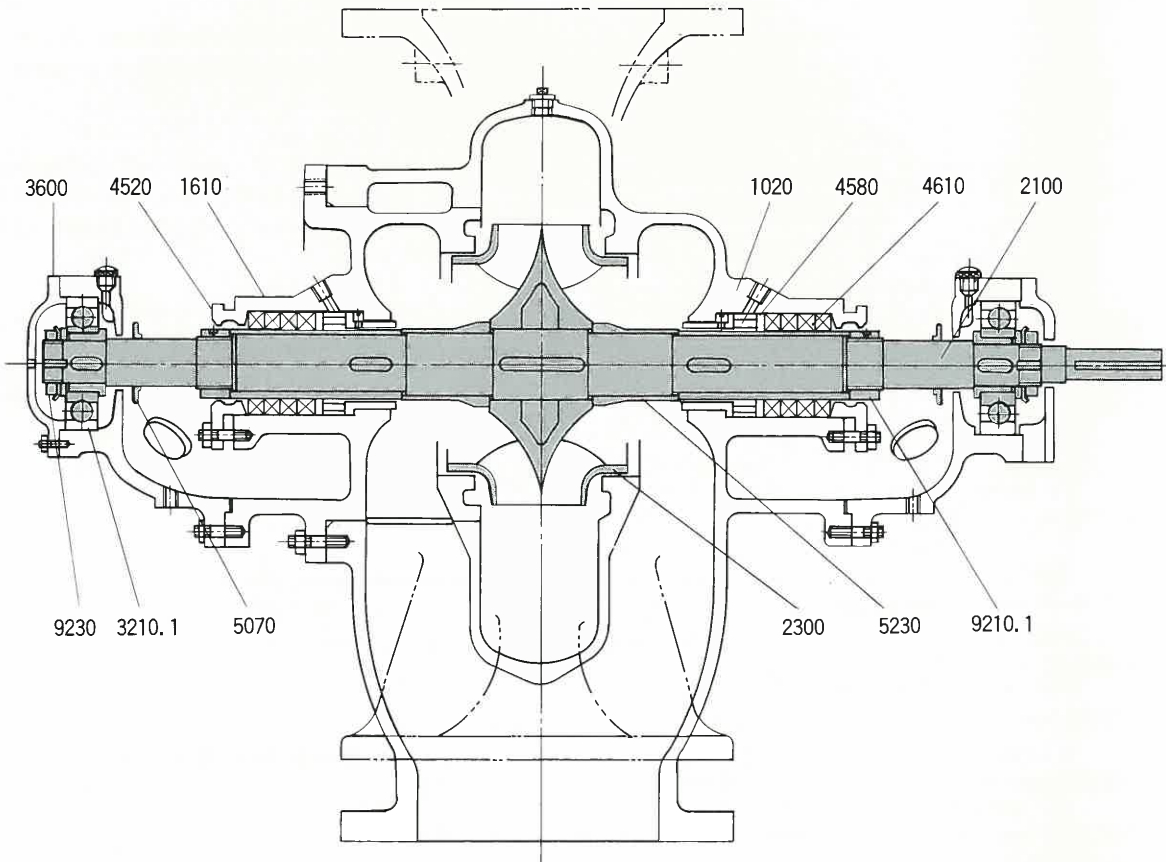
Sectional Drawing and List of Components

CDKD



| Part No. | Part Designation |
|----------|-------------------------|
| 1020 | Volute casing |
| 1610 | Side cover |
| 2100 | Shaft |
| 2300 | Impeller |
| 3210.1 | Ball bearing |
| 3600 | Bearing cover |
| 4120.1 | O-ring |
| 4120.2 | O-ring |
| 4520 | Gland |
| 4580 | Lantern ring |
| 4610 | Gland packing |
| 5020 | Casing wear ring |
| 5070 | Splasher |
| 5230 | Shaft protecting sleeve |
| 9210.1 | Shaft nut |
| 9230 | Bearing nut |

**Sectional Drawing and List of Components
CDKS**



| Part No. | Part Designation |
|----------|-------------------------|
| 1020 | Volute casing |
| 1610 | Side cover |
| 2100 | Shaft |
| 2300 | Impeller |
| 3210.1 | Ball bearing |
| 3600 | Bearing cover |
| 4520 | Gland |
| 4580 | Lantern ring |
| 4610 | Gland packing |
| 5070 | Splasher |
| 5230 | Shaft protecting sleeve |
| 9210.1 | Shaft nut |
| 9230 | Bearing nut |



TORISHIMA PUMP MFG. CO., LTD.

Head Office & Works

1-1-8, Miyata-cho, Takatsuki City, Osaka, Japan
 Phone: 0726-95-0551 Telex: 5336568 TORIPU J
 Telefax: 0726-93-1288

Singapore Office

101 Thomson Road #09-01A United Square Singapore 1130
 Phone: 2501234 Telex: TORIPU RS 21298 Telefax: 2500211